

# CloudDC SuperServer SYS-120C-TN10R

1U CloudDC with 10 NVMe bays



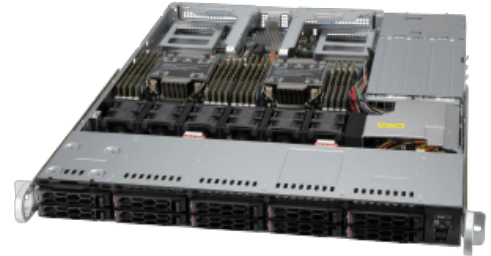
More details here

## Key Applications

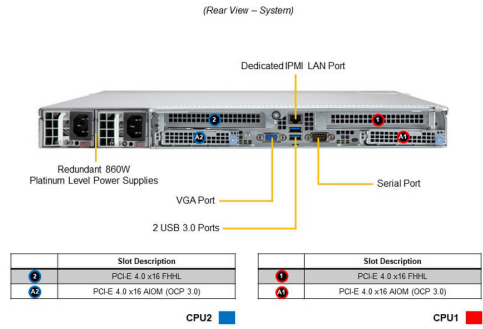
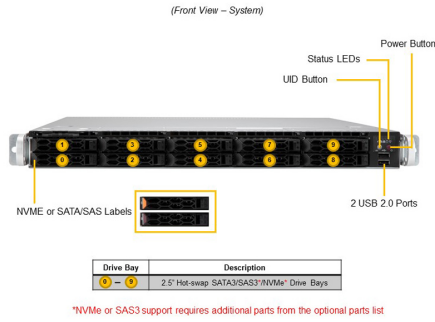
Web Server, Firewall Application, Data Center Optimized, Value IaaS, Cloud Computing, Compact Server, DNS & Gateway Servers, Firewall Application, CDN, Edge Nodes,

## Key Features

- Dual sockets P+ (LGA-4189) 3rd Gen Intel® Xeon® Scalable processors;
- Intel® C621A Chipset;
- 16 DIMMs up to 6TB 3DS ECC DDR4-3200: LRDIMM/RDIMM/Intel® Intel® DCPMM;
- 2 PCIe 4.0 x16 FHHL; 2 PCIe 3.0 x2 NVMe M.2;
- Dual AIOM (OCP 3.0) slots with NCSI for networking, 1 dedicated IPMI LAN;
- 10x 2.5" hot-swap hybrid NVMe/SATA/SAS drive bays;
- 6 counter-rotating 4 cm PWM fans with optimal fan speed control, 2 air shrouds;
- 860W redundant Platinum level 100-240Vac and 200-240 Vdc power supplies;
- 1 VGA, 1 COM, 2 USB 3.0 (rear), 2 USB 2.0 (front);



Form Factor	1U Rackmount Enclosure: 437 x 43 x 597mm (17.2" x 1.7" x 23.5") Package: 602 x 195.6 x 807.7mm (23.7" x 7.7" x 31.8")
Processor	Dual Socket P4 (LGA-4189) 3rd Gen Intel® Xeon® Scalable processors Up to 40C/80T; Up to 60MB Cache per CPU
GPU	Max GPU Count: Up to 2 single-width GPU(s) Supported GPU: NVIDIA PCIe: L4, A2 Intel PCIe: Intel Data Center GPU Flex 140
System Memory	Slot Count: 16 DIMM slots Max Memory (1DPC): Up to 4TB 3200MT/s ECC DDR4 RDIMM/LRDIMM Supports Intel® Optane™ persistent memory 200 series
Drive Bays Configuration	Default: Total 10 bay(s) <ul style="list-style-type: none"> <li>• 10 front hot-swap 2.5" NVMe*/SAS*/SATA drive bay(s)</li> </ul> (*NVMe/SAS support may require additional storage controller and/or cables, please see the optional parts list for details) M.2: 2 M.2 PCIe 3.0 x2 NVMe slot(s) (M-key 2280(default); VROC required for RAID)
Expansion Slots	Default <ul style="list-style-type: none"> <li>• 2 PCIe 4.0 x16 FHHL slot(s)</li> <li>• 2 PCIe 4.0 x16 AIOM slot(s) (OCP 3.0 compatible)</li> </ul>
On-Board Devices	SATA: SATA (6Gbps) ; RAID 0/1/5/10 support NVMe: NVMe; RAID 0/1/5/10 support(VROC HW key required) Chipset: Intel® C621A Network Connectivity: Via Slim-AIOM
Input / Output	LAN: 1 RJ45 1 GbE Dedicated IPMI LAN port(s) USB: 2 USB 3.0 port(s) (rear) 2 USB 2.0 port(s) (front) Video: 1 VGA port(s) Serial: 1 COM port(s) (Rear) DOM: 1 SuperDOM (Disk on Module) port(s) TPM: 1 TPM header



System Cooling	Fans: 6x 4cm heavy duty fans with optimal fan speed control Air Shroud: 2 Air Shroud(s)
Power Supply	1x 860W Redundant Platinum Level (94%) Hot-plug power supply
System BIOS	BIOS Type: AMI 32MB SPI FLASH ROM
Management	SuperCloud Composer; Supermicro Server Manager (SSM); Supermicro Update Manager (SUM); Supermicro SuperDoctor® 5 (SD5); Super Diagnostics Offline (SDO); Supermicro Thin-Agent Service (TAS); SuperServer Automation Assistant (SAA) New!
PC Health Monitoring	FAN: Fans with tachometer monitoring Status monitor for speed control Pulse Width Modulated (PWM) fan connectors Temperature: Monitoring for CPU and chassis environment Thermal Control for fan connectors CPU: Monitors for CPU Cores, Chipset Voltages, Memory. 8 Phase-switching voltage regulator
Dimensions and Weight	Weight: Gross Weight: 40 lbs (18.14 kg) Net Weight: 25 lbs (11.34 kg) Available Color: Black
Operating Environment	RoHS Compliant Operating Temperature: 10°C ~ 35°C (50°F ~ 95°F) Non-operating Temperature: -40°C to 60°C (-40°F to 140°F) Operating Relative Humidity: 8% to 90% (Non-Condensing) Non-operating Relative Humidity: 5% to 95% (Non-Condensing)
Motherboard	<a href="#">Super X12DDW-A6</a>
Chassis	CSE-LB16TS-R860AWP