

# UP Storage SuperServer SSG-540P-E1CTR36L

4U UP front/rear-loading storage server with 36 hot-swap 3.5" SAS/SATA bays and PCIe 4.0



More details here

## Key Applications

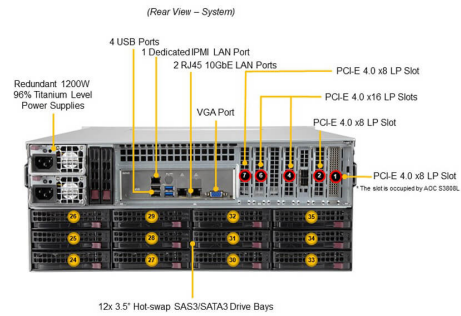
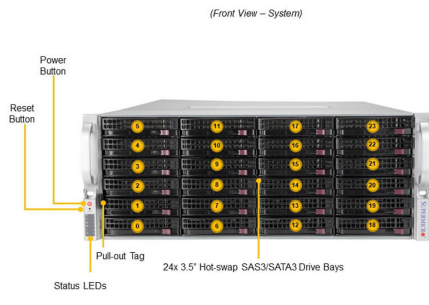
Enterprise Server, Database Processing & Storage, Appliance Optimized Storage,

## Key Features

- Single Socket P+ (LGA-4189) 3rd Gen Intel® Xeon® Scalable processors. Up to 270W TDP.;
- 8 DIMMs; Supports 3DS DDR4-3200: RDIMM/LRDIMM/Intel® Intel® DCPMM;
- 2 PCIe 4.0 x16 (LP) slots, 2 PCIe 4.0 x8 (LP) slots;
- Intel® Ethernet Controller X550 2x 10GbE RJ45;
- 36x Hot-swap 3.5" SAS3/SATA3 drive bays (24 front + 12 rear), Onboard 1x NVMe/SATA M.2; 2x Hot-swap 2.5" NVMe/SATA (rear, optional); 2x Internal fixed bay support up to 4x 2.5" drive bays (optional);
- Redundant Titanium 1200W Power Supply;



<b>Form Factor</b>	4U Rackmount Enclosure: 437 x 178 x 699mm (17.2" x 7" x 27.5") Package: 656 x 445 x 1003mm (27" x 17.5" x 39.5")
<b>Processor</b>	Single Socket P+ (LGA-4189) 3rd Gen Intel® Xeon® Scalable processors Up to 40C/80T; Up to 60MB Cache
<b>System Memory</b>	Slot Count: 8 DIMM slots/8 Channels Max Memory (1DPC): Up to 2TB 3200MT/s ECC DDR4 RDIMM/LRDIMM Supports Intel® Optane™ persistent memory 200 series
<b>Drive Bays Configuration</b>	Default: Total 36 bay(s) <ul style="list-style-type: none"> <li>• 24 front hot-swap 3.5" SAS/SATA drive bay(s)</li> <li>• 12 rear hot-swap 3.5" SAS/SATA drive bay(s)</li> </ul> Option A: Total 38 bay(s) <ul style="list-style-type: none"> <li>• 24 front hot-swap 3.5" SAS/SATA drive bay(s)</li> <li>• 12 rear hot-swap 3.5" SAS/SATA drive bay(s)</li> <li>• 2 rear hot-swap 2.5" PCIe 4.0 NVMe*/SAS*/SATA* drive bay(s)</li> </ul> (*NVMe/SAS/SATA support may require additional storage controller and/or cables, please see the optional parts list for details) M.2: 1 M.2 PCIe 3.0 x4 NVMe/SATA slot(s) (M-key 2280/22110)
<b>Expansion Slots</b>	Default <ul style="list-style-type: none"> <li>• 2 PCIe 4.0 x8 LP slot(s)</li> <li>• 2 PCIe 4.0 x16 LP slot(s)</li> </ul>
<b>On-Board Devices</b>	SATA: SATA (6Gbps) via Intel® C621A; RAID 0/1/5/10 support SAS: SAS (12Gbps) via Broadcom® 3808; (IT mode) NVMe: NVMe; RAID 0/1 support(Intel® VROC RAID key required) Chipset: Intel® C621A Network Connectivity: 2 RJ45 10GbE with Intel® X550
<b>Input / Output</b>	LAN: 2 RJ45 1 GbE LAN port(s) 1 RJ45 1 GbE Dedicated IPMI LAN port(s) (IPMI shared on LAN port 1) USB: 2 USB 2.0 port(s) (header) 2 USB 3.2 Gen1 Type-A port(s) (rear) 2 USB 2.0 Type-A port(s) (rear) 2 USB 3.2 Gen1 port(s) (Header) 1 USB 3.2 Gen1 Type-A port(s) Video: 1 VGA port(s) Serial: 1 COM port(s) (Header) DOM: 2 SuperDOM (Disk on Module) port(s) with built-in power TPM: 1 TPM header



System Cooling	Fans: 7 Heavy Duty PWM 80x80x38mm Fan(s)
Power Supply	2x 1200W Redundant (1 + 1) Titanium Level (96%) power supplies
System BIOS	BIOS Type: AMI 32MB SPI Flash EEPROM
Management	SuperCloud Composer; Supermicro Server Manager (SSM); Supermicro Update Manager (SUM); Supermicro SuperDoctor® 5 (SD5); Super Diagnostics Offline (SDO); Supermicro Thin-Agent Service (TAS); SuperServer Automation Assistant (SAA) New!
PC Health Monitoring	CPU: Monitors for CPU Cores, Chipset Voltages, Memory 7+1 Phase-switching voltage regulator module (VRM) FAN: Fans with tachometer monitoring Status monitor for speed control Pulse Width Modulated (PWM) fan connectors Temperature: Monitoring for CPU and chassis environment Thermal Control for fan connectors
Dimensions and Weight	Weight: Gross Weight: 102.5 lbs (46.4 kg) Net Weight: 66.5 lbs (29.7 kg) Available Color: Black
Operating Environment	Operating Temperature: 10°C ~ 35°C (50°F ~ 95°F) Non-operating Temperature: -40°C to 70°C (-40°F to 158°F) Operating Relative Humidity: 8% to 90% (non-condensing) Non-operating Relative Humidity: 5% to 95% (non-condensing)
Motherboard	<a href="#">Super X12SPI-TF</a>
Chassis	<b>CSE-847BTS-R1K23LPBP4</b>